



SHOW CHROME[®]

***INSTALLATION
INSTRUCTIONS***

41-427R - RYKER LEVITATE BAG MOUNT

RIDE WITH US

Founded in 1981 and located in Northern Wisconsin, Show Chrome believes that everyone deserves convenience, safety, and style. All of our products are designed by riders for riders to achieve just that.

Our products are designed and engineered in the USA and 50% of our products are manufactured in the USA: your investment in us and our community.

Please let us know how we can make your ride even better. Our team of riders in Wisconsin answers every customer call - always has and always will.

Sincerely,

Your Show Chrome Team

Rice Lake, WI, USA

RIDE WITH CONFIDENCE

These instructions are for both riders and dealers - written as a step-by-step guide with an eye for detail, just like our products. It's all part of your experience with Show Chrome, and we take that seriously.

LET US KNOW!

Please review the instructions before diving in, and if things get uncomfortable, don't hesitate. Reach out to us. We're here to help and offer direct, human customer service based in Rice Lake, WI, USA at 888-244-2453 anytime M-F from 8-5 Central Time. Ride safely, and ride often.

FUN FACT!

The first-ever motorcycle, or rather motorized bicycle with an internal combustion engine, was made by Gottlieb Daimler and Wilhelm Maybach in Germany in 1885. It had a wooden frame and a gas-powered engine. It was destroyed in a fire in 1903.

PRODUCT INFO

Product:

Ryker Levitate Bag Mount

Part#:

41-427R

Fitment:

Can-Am Ryker 2019+

INCLUDED

- Levitate Bag Mount (1x)
- Support Arm (1x)
- M5 x 0.8 Nylon Locking Nut (2x)
- M5 x 0.8 x 20 Screw (2x)
- M8 x 1.25 x 20 Screw (1x)
- M8 x 1.25 x 50 Screw (2x)
- M8 x 1.25 Nylon Locking Nut (1x)
- M8 Flat Washer (1x)

TOOLS NEEDED



3mm Allen Wrench



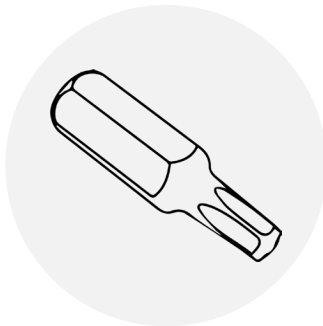
5mm Allen Wrench



8mm Wrench

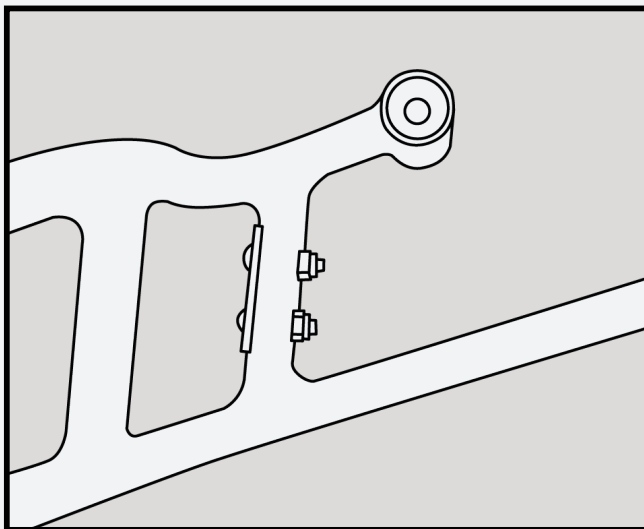
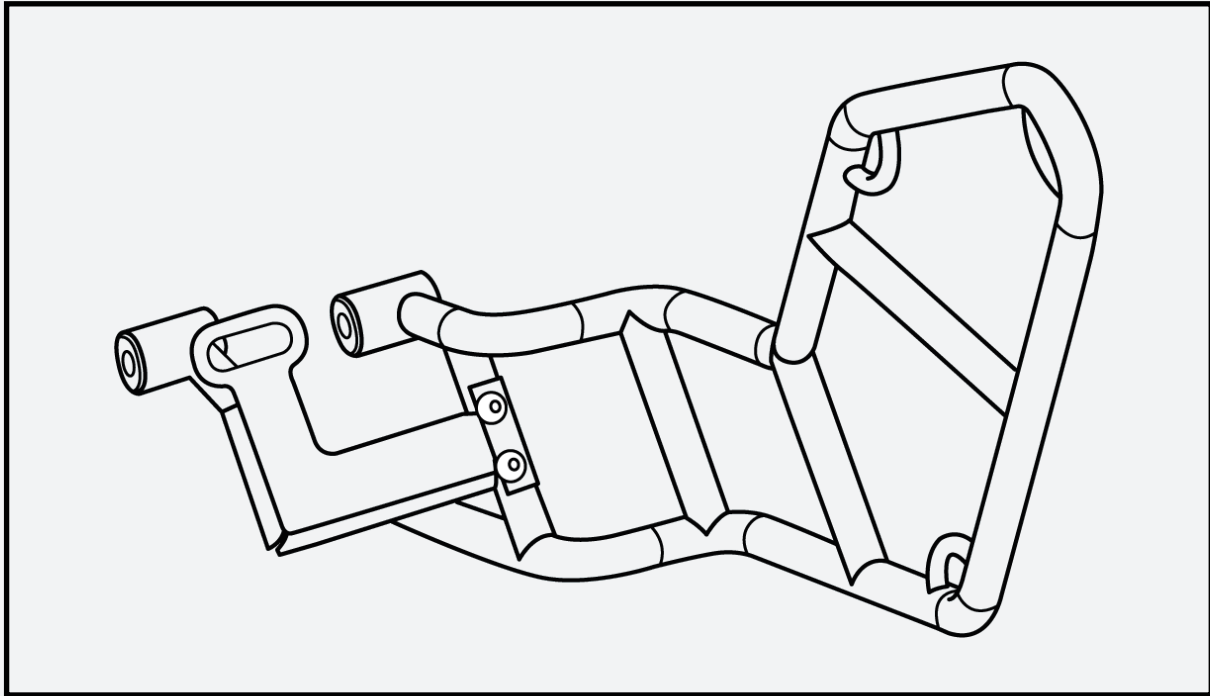


13mm Wrench



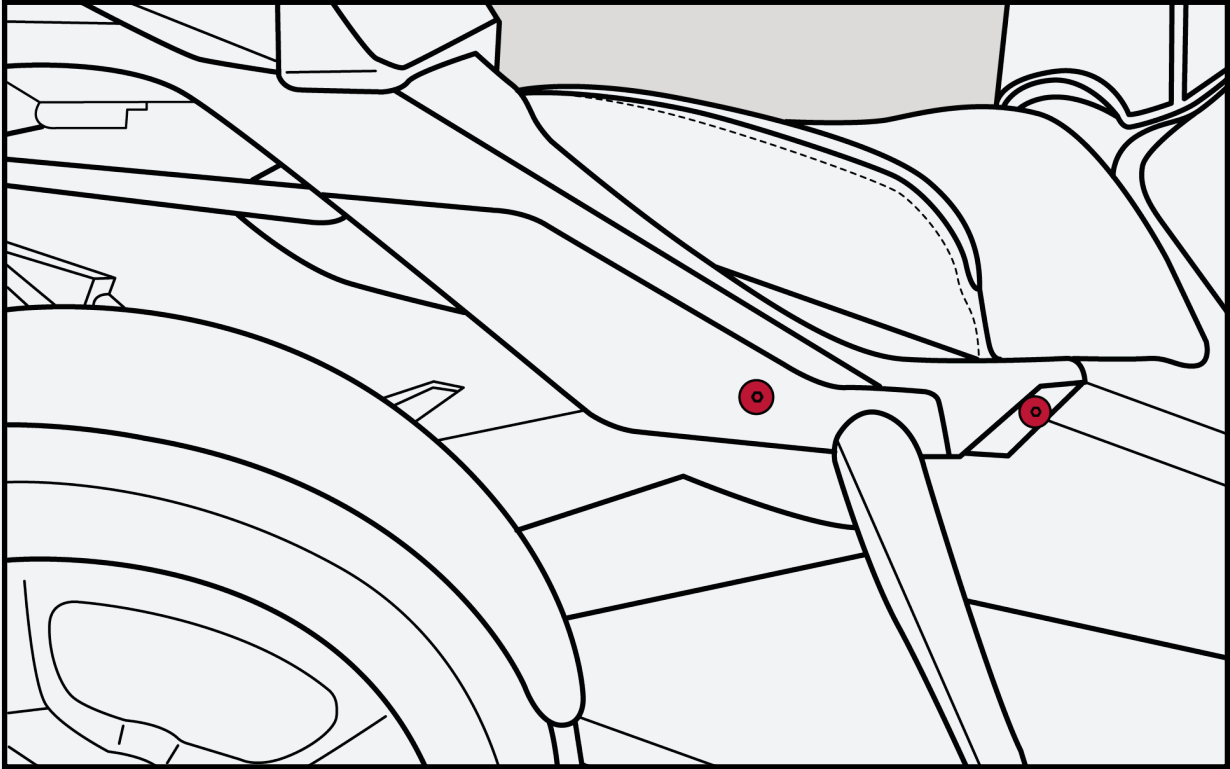
T-40 Torx

1



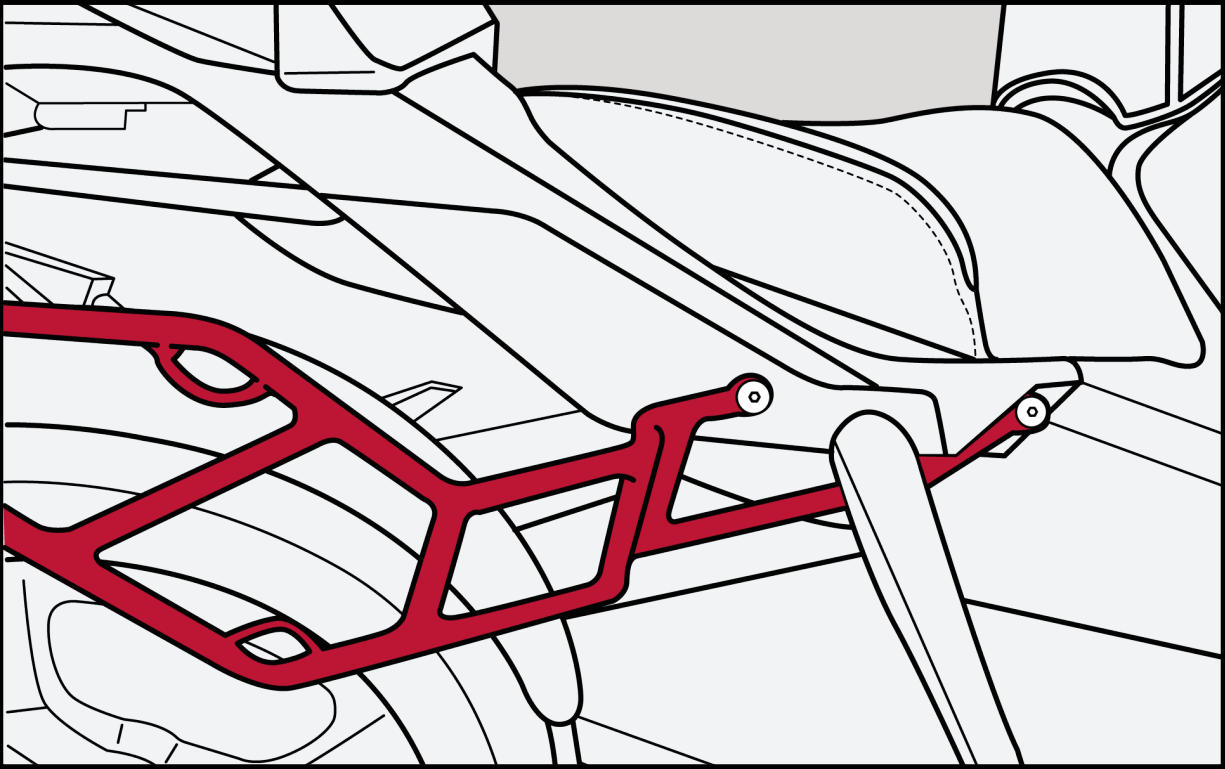
Utilizing an 8MM WRENCH and 3MM ALLEN WRENCH, assemble the Support Arm to the Levitate Bag Mount using the two M5 x 0.8 x 20 Screws and M5 x 0.8 Nylon Locking Nuts provided (easily identifiable as the two smallest screws and nuts).

2



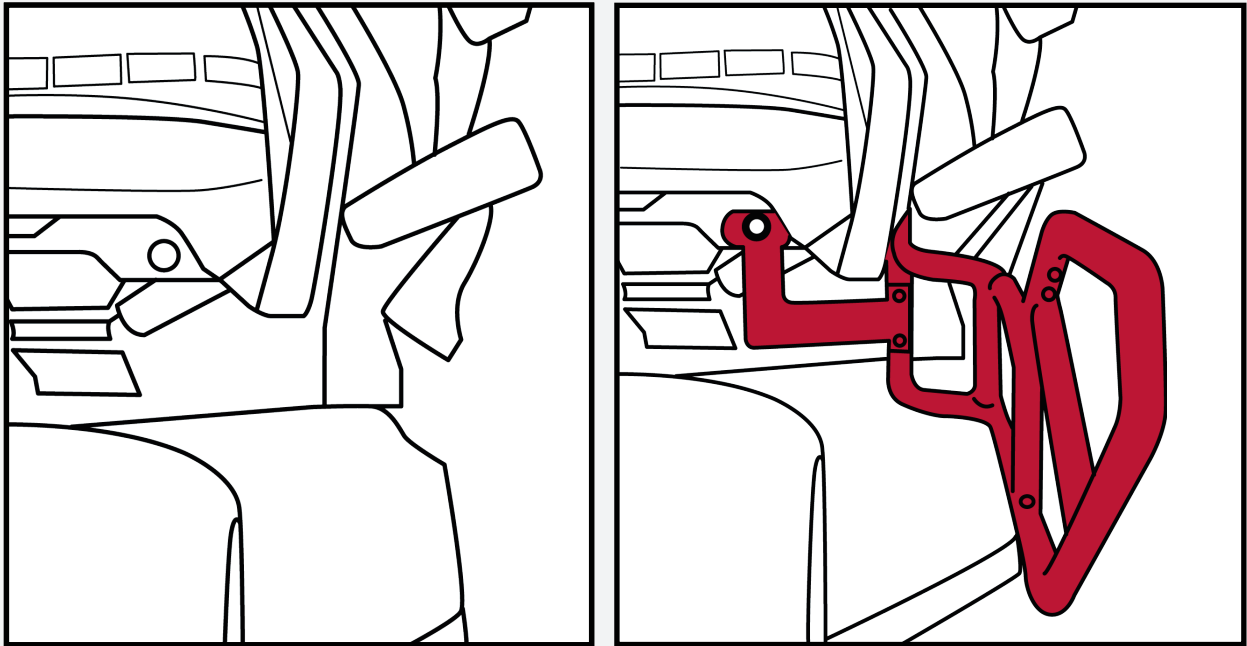
Remove the two OEM screws utilizing a T-40 Torx.

3



Place your Levitate Bag Mount in position and utilize two M8 x 1.25 x 50 Screws (the two longest screws supplied), and using a 5MM ALLEN WRENCH, fasten the Levitate Bag Mount to the Ryker.

4



Secure the Support Arm of the Levitate Bag Mount to the Ryker by fastening the Support Arm to the round cutout under the Ryker's seat. Utilize the M8 x 1.25 x 20 Screw, M8 Flat Washer, and the M8 x 1.25 Nylon Locking Nut provided on the kit, utilizing a 13MM WRENCH and 5MM ALLEN WRENCH to securely fastened the mount.


5

With your Ryker Levitate Bag Mount secured on your bike, you are ready to install your Levitate Travel Bag to it! Part #H40-406BK

NOTICE

Ignoring the contents of these instructions may affect the product performance and functionality. Not following these instructions may cause damage to the product or to the vehicle to which it is being attached.



 1-888-244-2453

 www.showchromeusa.com