



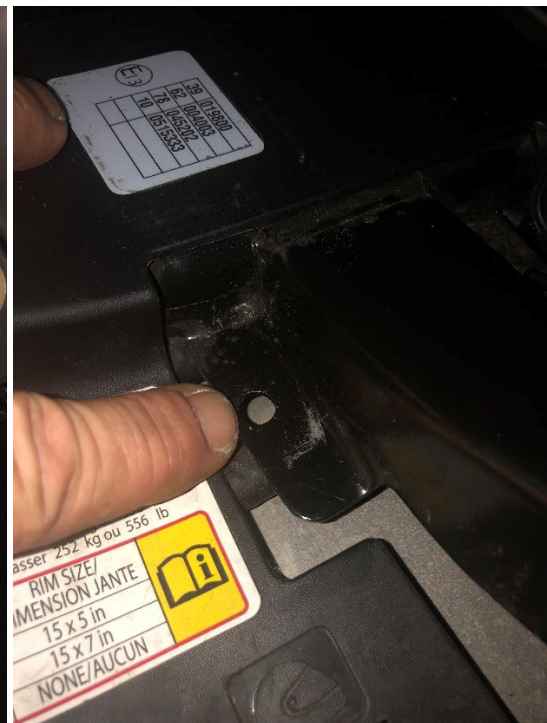
Nelson & Nelson Mfg.
5210 Stadium Blvd, Suite C
Jonesboro AR 72404
870-268-6393 : Cell 219-1019

Installation Instructions 10-7-24

Model SRT-SLK
2020+ RT SEAT LIFT KIT

Steps needed to install your 2020+ RT SEAT LIFT KIT

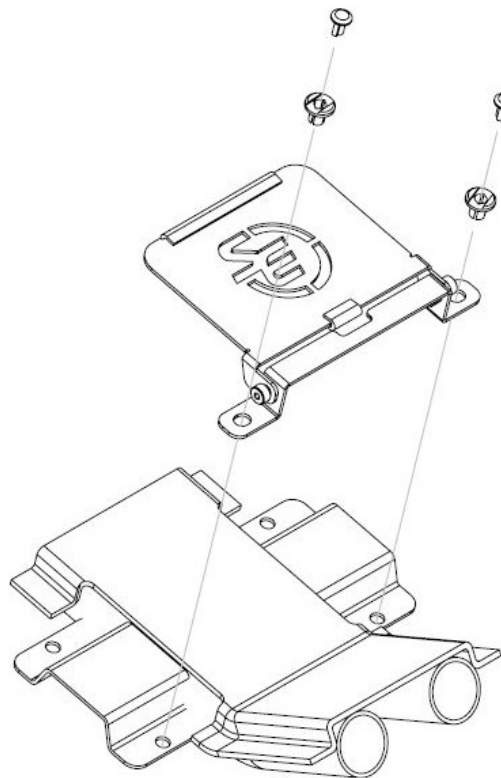
- 1.- First locate under the driver's seat the area in the back of the main frame two holes, one on each side of the main frame shown below.



2.- Then take the assembled lift kit and place the main lower mount over the frame so the lower bracket holes line up with the holes above in the frame. The lift kit as the drawing below shows comes with two plastic push pins.

Take the two supplied push pins and place them in the two holes and push the pin downward to lock in place.

Once done your lift kit is installed. To use the support mount just raise the seat, reach under the seat and lift the mount plate up. You will notice under the seat is a plastic ridge that once you raise the lift plate it will stop at the ridge under the seat as a stop and hold your seat up. To release just raise your seat and the mount plate will fall down in place, or you can tilt it back down in place.



We thank you for purchasing one of our Spyder 2020+ RT Seat Lift Kits. Today we know the need for accessories that provide a higher level of Style and Design, and we have solved that demand with a stylish system that compliments the design of your Spyder RT®!

spyderextras.com